

Technical sheet No 33GM/KAR

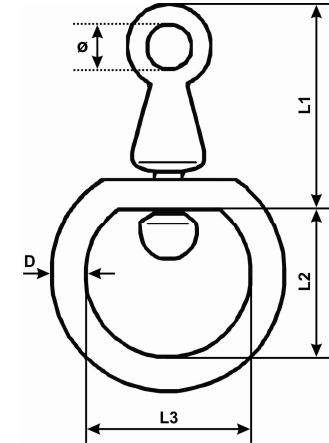
1. Supplier name: **GÓRALMET Sp. z o.o.**

Supplier address: **ul. Krakowska 68, 32-860 Czchów, tel/fax 014 6635260**

2. Product name: **Round swivel with ring**

3. Description and use: Steel round swivels for use in agriculture as chain accessory, and the other general applications. For use within technical parameters given in point 5.

4. Round swivels with ring cannot be used in the applications that has safety requirements regulated by law or standards, for example for lifting. Do not overload over WLL (kG) given in column 13.



5. Technical parameters:

No	Size [mm]	Nominal dimensions [mm]									Weight [kg/pc]	WLL Working load [kG]	BF Breaking force [min. Kg]	Material	Coatings
		D [mm]	L1 [mm]	L2 [mm]	L3 [mm]	Ø [mm]	---	---	---	---					
1	2	3	4	5	6	7	8	9	10	11	12	13	14	15	16
1	4	3,8	20	20	21,5	5,7	---	---	---	---	0,019	80	320	C10 ~ C15	Electro-galvanized
2	5	4,8	41	31	32	8	---	---	---	---	0,048	100	400		
3	6	5,8	45	33	36	9,5	---	---	---	---	0,075	130	520		
4	7	6,8	51	35	38	9,2	---	---	---	---	0,111	160	640		
5	8	7,8	58	40	43	10	---	---	---	---	0,148	200	800		
6	9	8,8	58	41	44	10	---	---	---	---	0,174	260	1040		
7	10	9,8	62	45	47	12	---	---	---	---	0,268	340	1360		

6. Additional informations:

- Safety factor - 4
- BF =4,0 x WLL
- Additional informations – label: product name; size; quantity; order No; manufacturer's data and website address.