

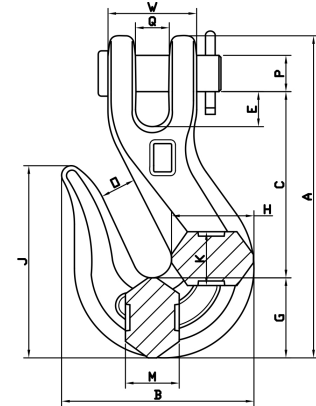
Technical sheet No 15GM/KAR

1. Supplier name: **GÓRALMET Sp. z o.o.**

Supplier address: **ul. Krakowska 68, 32-860 Czchów, tel/fax 014 6635260**

2. Product name: **GM-HS Clevis grab hook**

3. Forged clevis steel hooks without securing system, for use as a part of the slings, lifting objects, loads, cargo's, and for other purposes within technical parameters given in point 5 and the Directive 2006/42/EC
4. GM-HS hooks has individual parameters and safety factor. Working load limits are given for the normal working conditions. Usage in extreme conditions is not allowed without supplier agreement. Storage, installation and usage - according to instruction manual for lifting accessories.



5. Technical parameters:

No	Size (d _n)	Nominal dimensions [mm]									Weight [kg/pc]	WLL Working load [t]	MPF Proof force [kN]	BF Breaking force [min. kN]	Material	Coatings
		A	B	E	G	O	P	Q	M	W						
1	2	3	4	5	6	7	8	9	10	11	12	13	14	15	16	17
1	6	78	47	8,5	19	9	9,3	8	12	26	0,17	1,18	28,9	46,3	C45	Electro-galvanized
2	8	96	54	10,5	25	11,5	10,2	11	16	30	0,29	1,77	43,4	69,4		
3	10	114	65	13	30,5	12,5	11,5	12,5	18	37	0,50	2,45	60,1	96,1		

6. Additional informations:

- Safety factor - 4
- $MPF = 2,5 \times g \times WLL$, $BF = 4,0 \times g \times WLL$ where g - acceleration of gravity in m/s^2 (i.e. 9,80665)
- Manufacturer and product identification code: GM-HS
- Traceability code: a four-digit number by formula - YYMM (YY = year of production, MM = month of production)
- Markings: manufacturer's symbol – GM or GORALMET or GMG; **CE** ; manufacturer and product identification code; traceability code; size; WLL....T
- Additional informations – label: **CE** ; product name; size; WLL...T; quantity; order No; manufacturer's data and website address.