

Technical sheet No 147GM/KAR

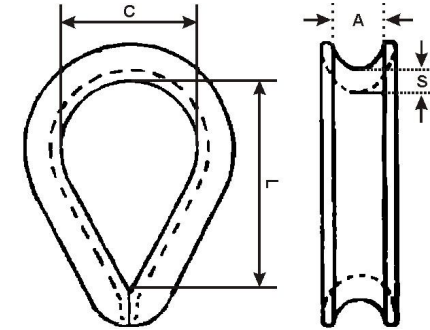
1. Supplier name: **GÓRALMET Sp. z o.o.**

Supplier address: **ul. Krakowska 68, 32-860 Czchów, tel/fax 014 6635260**

2. Product name: **Wire rope thimble INOX316**

3. Description and use: Acid-proof stainless steel thimbles for wire rope terminations used for hanging, and the other general applications (excluding the uses described in point 4). Diameter of selected wire rope should be same as nominal size of the thimble. For use within technical parameters given in point 5.

4. Wire rope thimbles INOX316 cannot be used in the applications that has safety requirements regulated by law or standards, for example for lifting or use as elements of EN 13414-1 wire rope slings.



5. Technical parameters:

No	Size [mm]	Nominal dimensions [mm]									Weight [kg/pc]	Material	Coatings
		C [mm]	L [mm]	A [mm]	S [mm]	---	---	---	---	---			
1	2	3	4	5	6	7	8	9	10	11	12	13	14
1	2	7	11	2,4	0,8	---	---	---	---	---	0,0011	AISI316	---
2	3	10	14	3,9	0,9	---	---	---	---	---	0,0021		
3	4	11	19	4,3	0,9	---	---	---	---	---	0,0029		
4	5	13	21	5,5	1,15	---	---	---	---	---	0,0054		
5	6	15	26	6,6	1,15	---	---	---	---	---	0,0076		
6	8	20	33	8,8	1,37	---	---	---	---	---	0,0120		

6. Additional informations:

- Markings: size code (sizes less than 5 - without marking)
- Additional informations – label: product name; size; quantity; order No; manufacturer's data and website address.