

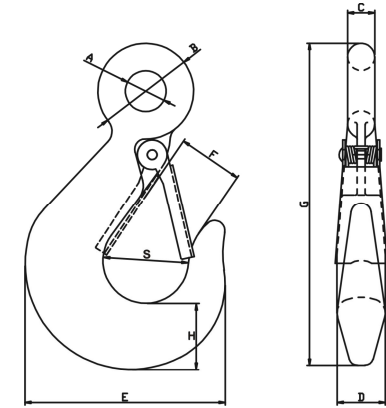
Technical sheet No 14GM/KAR

1. Supplier name: **GÓRALMET Sp. z o.o.**

Supplier address: **ul. Krakowska 68, 32-860 Czchów, tel/fax 014 6635260**

2. Product name: **GM-HZ Italian type hook**

3. Forged steel hooks with latch and eye, for use as a part of the slings, lifting objects, loads, cargo's, and for other purposes within technical parameters given in point 5 and the Directive 2006/42/EC
4. GM-HZ hooks because of different construction, are not conform with EN 1677-5 norm. It has individual parameters. Working load limits are given for the normal working conditions. Usage in extreme conditions is not allowed without supplier agreement. Storage, installation and usage - according to instruction manual for lifting accessories.



5. Technical parameters:

No	Size (WLL)	Nominal dimensions [mm]										Weight [kg/pc]	WLL Working load [t]	MPF Proof force [kN]	BF Breaking force [min. kN]	Material	Coatings
		A	B	C	D	E	F	G	H	S							
1	2	3	4	5	6	7	8	9	10	11	12	13	14	15	16	17	
1	0,25	12	26,5	7,5	13	53,5	16	87,5	17,5	22	0,13	0,25	4,9	12,3	C45	Electro-galvanized	
2	0,5	16	36	10,5	17,5	72	22	118	24,5	27	0,33	0,5	9,8	24,5			
3	1	20	46	13,5	24	96	30,5	159	30,5	39	0,79	1	19,6	49,0			
4	1,6	21	53,5	16,5	26,5	112	34	184	37,5	40	1,26	1,6	31,4	78,5			
5	2,5	25	64,5	20	34,5	144,5	44,5	230	47,5	52	2,90	2,5	49,0	122,6			

6. Additional informations:

- Safety factor - 5
- $MPF=2,0 \times g \times WLL$, $BF=5,0 \times g \times WLL$ where g - acceleration of gravity in m/s^2 (i.e. 9,80665)
- Manufacturer and product identification code: GM-HZ
- Traceability code: a four-digit number by formula - YYMM (YY = year of production, MM = month of production)
- Markings: manufacturer's symbol – GM or GORALMET or GMG; **CE** ; manufacturer and product identification code; traceability code; WLL....T
- Additional informations – label: **CE** ; product name; size (WLL...T); quantity; order No; manufacturer's data and website address.