

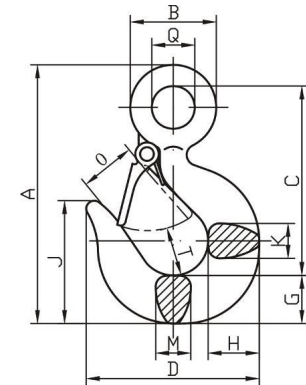
Technical sheet No 1GM/KAR

1. Supplier name: **GÓRALMET Sp. z o.o.**

Supplier address: **ul. Krakowska 68, 32-860 Czchów, tel/fax 014 6635260**

2. Product name: **GM-HUZ Eye hook with latch**

3. Forged steel hooks with latch and eye, for use as a part of the slings, lifting objects, loads, cargo's, and for other purposes within technical parameters given in point 5 and the Directive 2006/42/EC
4. GM-HUZ hooks because of different construction, are not conform with EN 1677-5 norm. It has individual parameters. Working load limits are given for the normal working conditions. Usage in extreme conditions is not allowed without supplier agreement. Storage, installation and usage - according to instruction manual for lifting accessories.



5. Technical parameters:

No	Size (WLL)	Nominal dimensions [mm]									Weight [kg/pc]	WLL Working load [t]	MPF Proof force [kN]	BF Breaking force [min. kN]	Material	Coatings
		Q	O	C	A	J	T	G	M	B						
1	2	3	4	5	6	7	8	9	10	11	12	13	14	15	16	17
1	0,5	16	20	70,5	97	47	16,5	18	13	32	0,17	0,5	9,9	24,6	C45	Paint
2	0,75	19	22	81,5	110	51	20,5	19	14	37	0,26	0,75	14,8	36,8		
3	1	23	24	93	125	57	20,5	21	17	44,5	0,40	1	19,7	49,1		
4	1,5	28	25	102,5	140	65	21	26	20	51,5	0,58	1,5	29,5	73,6		
5	2	31	28	119	162,5	74	30	28,5	22	61	0,91	2	39,3	98,1		
6	3	39	34	147	201	94	35	36,5	28	74	1,67	3	58,9	147,1		
7	5	51	42	187	256	120	45	46	35	97	3,26	5	98,1	245,1		

6. Additional informations:

- Safety factor - 5
- $MPF=2,0 \times g \times WLL$, $BF=5,0 \times g \times WLL$ where g - acceleration of gravity in m/s^2 (i.e. 9,80665)
- Manufacturer and product identification code: GM-HUZ
- Traceability code: a four-digit number by formula - YYMM (YY = year of production, MM = month of production)
- Markings: manufacturer's symbol – GM or GORALMET or GMG; ; manufacturer and product identification code; traceability code; WLL....T
- Additional informations – label: ; product name; size (WLL...T); quantity; order No; manufacturer's data and website address.